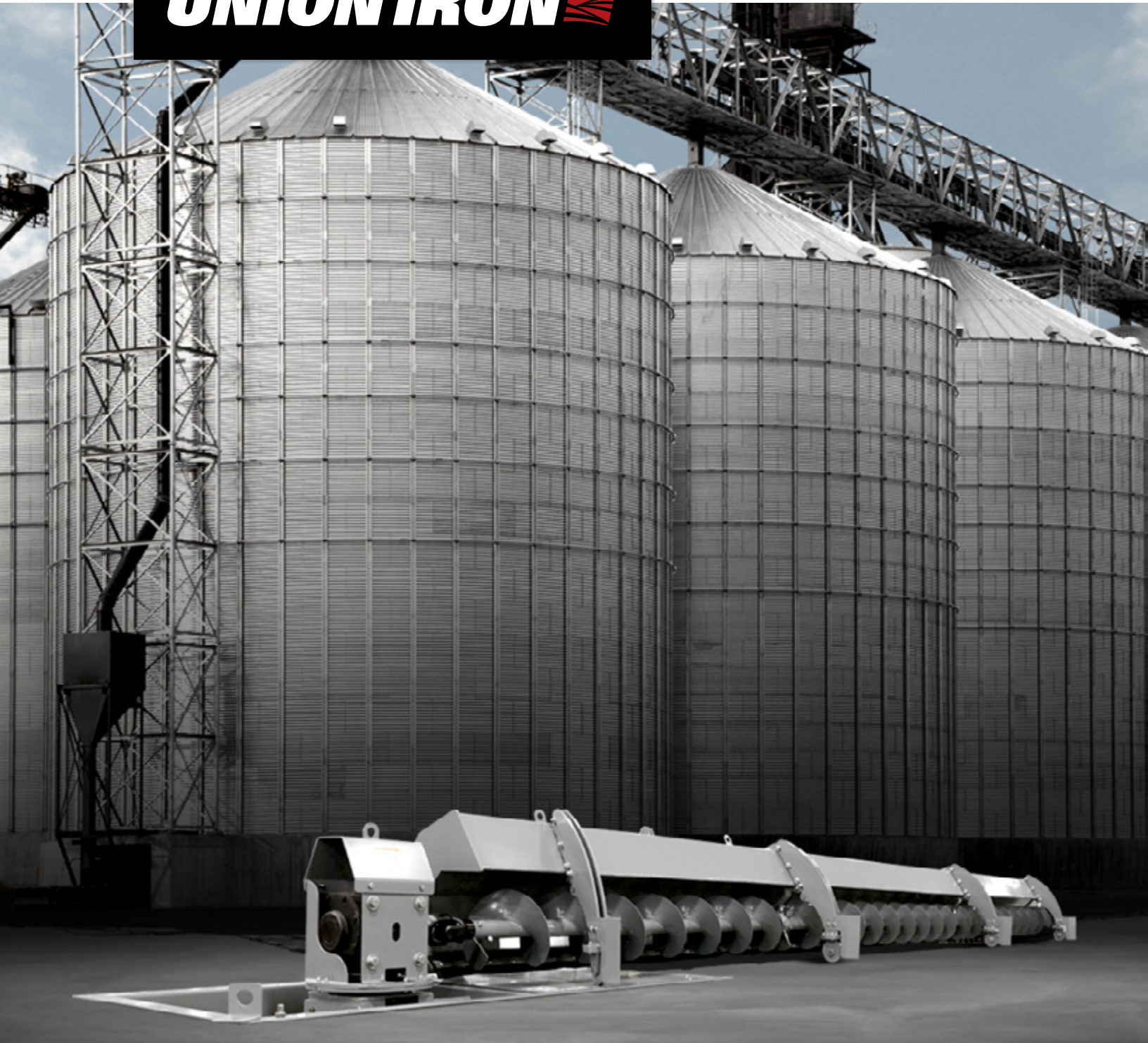


UNION IRON 



Hi-Flow  **UNION IRON** 

**ZERO-BIN ENTRY WITH NO
ELECTRIC MOTORS IN THE BIN.**

HEAVY DUTY
BACK-BOARD
DESIGN

HYDRAULIC
DRIVEN
TRACK
DRIVE

16" MODEL –
RATED FOR
10,000 BPH
(BASED ON
WHEAT) !

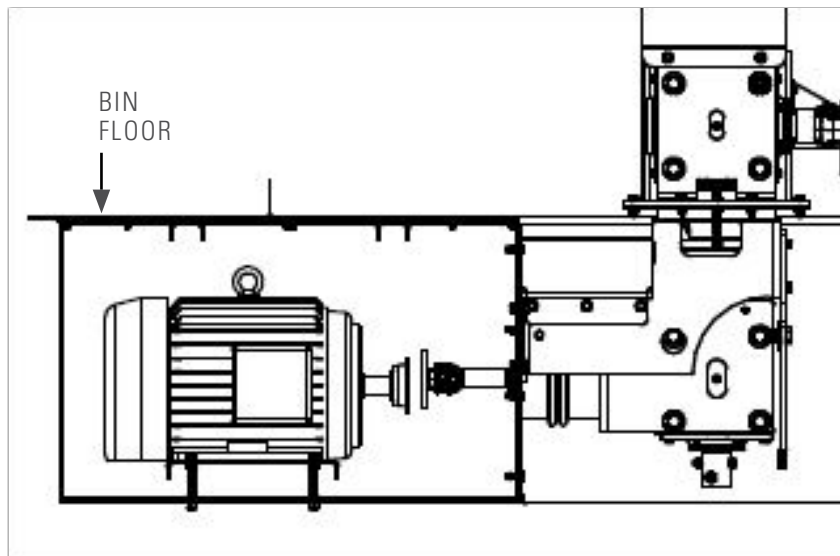
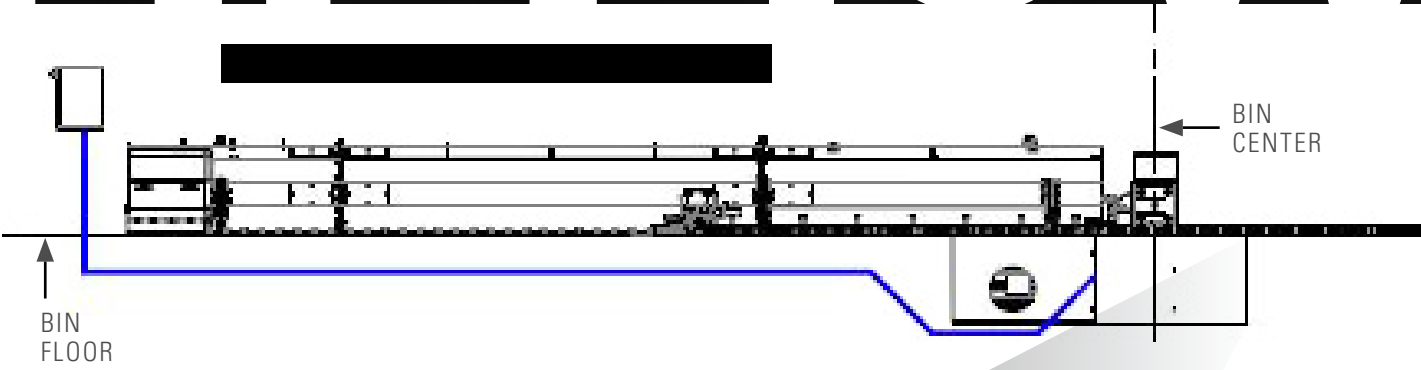
CENTER
HOPPER –
40" x 40"
STANDARD,
EXTENDED
SIZE

MOTORS ARE
EXPLOSION
PROOF AND
LOCATED
UNDER THE BIN
FLOOR (INSIDE
CENTER HOPPER)

PLATES
REQUIRED FOR
FRONT AND
BACK WHEELS
WHERE THEY
CROSS AERATION
TUNNEL (NOT
INCLUDED)

Hi-Flow

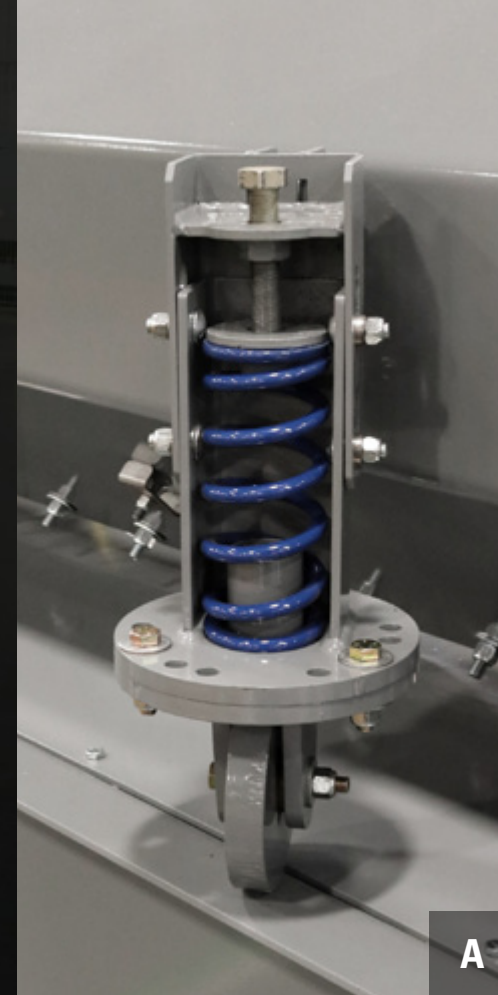
UNION IRON



CENTER HOPPER



TRACK DRIVE HYDRAULIC CONTROLLER



A



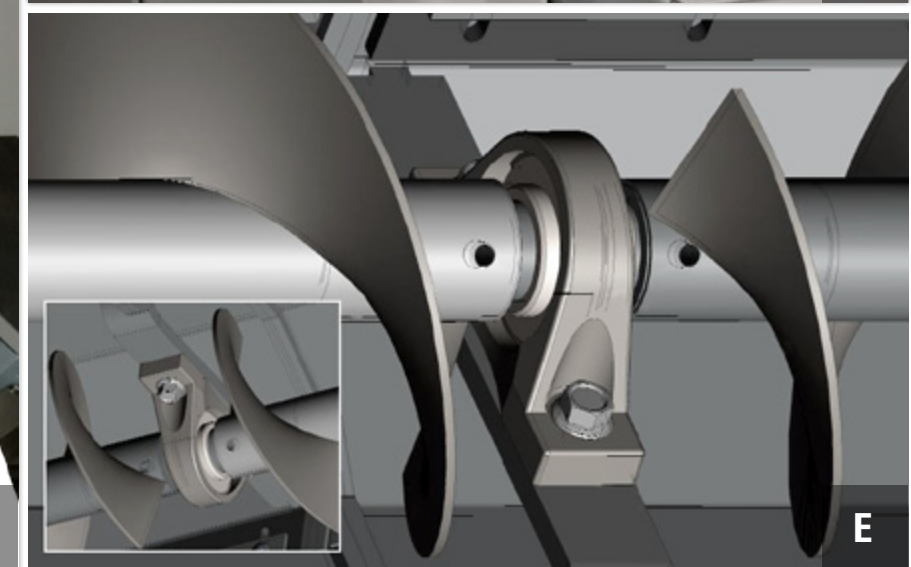
B



C



D



E

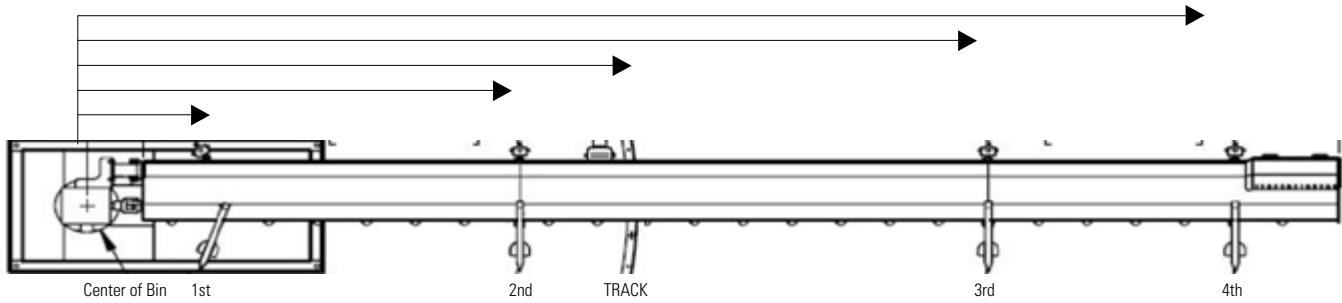
A REAR WHEEL –ADJUSTABLE
• HEIGHT ADJUSTMENT
• WHEEL ADJUSTMENT TO MATCH RADIUS

B TRACK DRIVE ASSEMBLY –
HYDRAULICALLY DRIVE WITH GEAR
TO ANGLE TRACK INSTALLED ON FLOOR

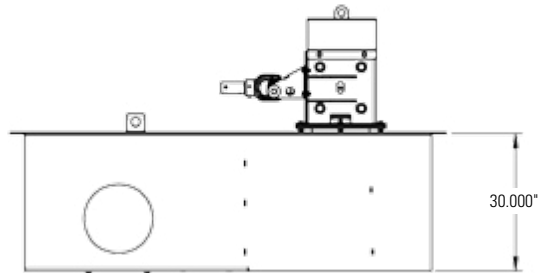
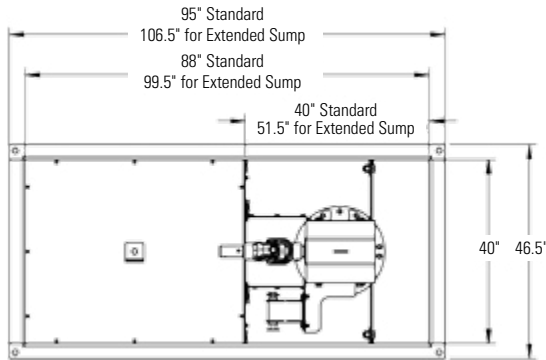
C RIGHT ANGLE GEARBOXES TRANSFER
POWER FROM MOTOR (LOCATED IN
CENTER HOPPER) TO AUGER

D FRONT WHEEL –ADJUSTMENT UP
AND DOWN ADJUSTMENT OF
WHEEL RIGHT TO LEFT

E 2-BOLT PILLOW
BLOCK BEARINGS
AT EACH COUPLING
SHAFT



BIN DIAMETER (FT)	1st	2nd	TRACK	3rd	4th	5th
48'	40-1/4" (1022 mm)	134-3/8" (3413 mm)	169" (4293 mm)	246-1/2" (6261 mm)	—	—
54'	40-1/4" (1022 mm)	134-3/8" (3413 mm)	169" (4293 mm)	246-1/2" (6261 mm)	—	—
60'	40-1/4" (1022 mm)	134-3/8" (3413 mm)	169" (4293 mm)	318" (8077 mm)	—	—
66'	40-1/4" (1022 mm)	134-3/8" (3413 mm)	169" (4293 mm)	277-1/2" (7049 mm)	353-5/8" (8982 mm)	—
BIN DIAMETER (FT)	1st	2nd	3rd	TRACK	4th	5th
72'	40-1/4" (1022 mm)	134-3/8" (3413 mm)	277-1/2" (7049 mm)	312" (7925 mm)	390-1/2" (9919 mm)	—
75'	40-1/4" (1022 mm)	134-3/8" (3413 mm)	277-1/2" (7049 mm)	312" (7925 mm)	390-1/2" (9919 mm)	—
90'	40-1/4" (1022 mm)	134-3/8" (3413 mm)	277-1/2" (7049 mm)	312" (7925 mm)	421-1/2" (10706 mm)	497-3/4" (12643 mm)
BIN DIAMETER (FT)	1st	2nd	3rd	4th	TRACK	5th
105'	40-1/4" (1022 mm)	134-3/8" (3413 mm)	277-1/2" (7049 mm)	421-1/2" (10706 mm)	457-1/2" (11621 mm)	565-3/4" (14370 mm)



UNION IRON 

3550 E. Mound Road Decatur, IL USA 62526
 1.800.333.5148 sales@unioniron.com unioniron.com

AGI 
 AG GROWTH INTERNATIONAL